

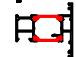














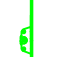









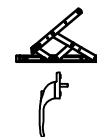

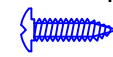
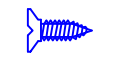


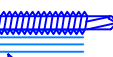






-  O001 Outer
-  T001 Transom
-  V005 Internal Vent
-  BO01 Fix Glass Bead
-  BV04 Vent Bead
-  BV02 Square Bead
-  FO20 20 x 61mm foam
-  EG020 E Gasket
-  PG008 Flipper Gasket
-  CHE10. Cheveron
-  CHE-T Transom Cheveron
-  CCP001 23mm cleat - Outer
-  CCP002 7mm cleat Outer
-  CCP004 10mm cleat - Vent
-  CCP005 18mm cleat - Vent
-  TPP 23 x 55 Transom Plate
-  IER250 Inline ESP Rod 250mm
-  IER400 Inline ESP Rod 400mm
-  IER600 Inline ESP Rod 600mm
-  IER800 Inline ESP Rod 800mm
-  IER1000 Inline ESP Rod 1000mm
-  LK30 46mm Espag keep
-  MSB01 PRO-Linea Espage Gearbox
-  MSB02 EXT Pro Linea Espag 118mm no Cam
-  MSB03 EXT Pro Linea Espag 318mm
-  MSB04 EXT Pro Linea Espag 518mm
-  MSB05 EXT Pro Linea Espag 718mm
-  Top or side hung hinge
-  Spag Handle
-  4.2 x 16 Shallow Pan head (Hinge)
-  3.9 x 12 CSK (Transome)
-  3.9 x 38 CSK (Transome)
-  4.2 x 20 CSK
-  4.2 x 25 CSK
-  M4 x 20 CSK
-  RB 12 x 40 Run Up Block
-  SS003 Glass Security Clip
-  PA004 Hinge Protector

Ancilliary Item

Cill , Coupling Bar , Square Post , Bay Post, Add on , Drip , Vantilation, Drain cover , Glass Packer