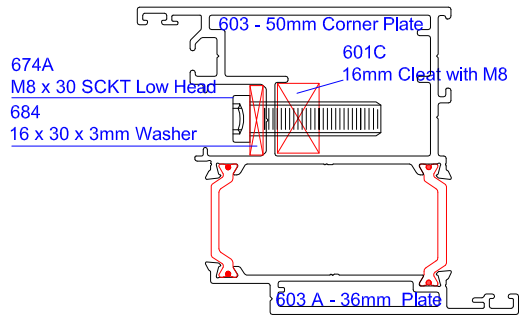


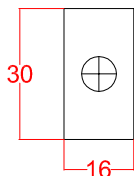
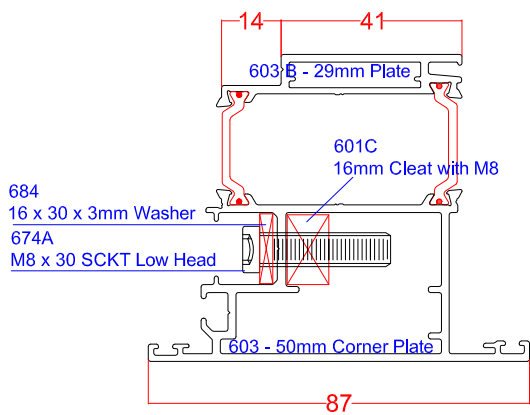


Miter cut and joined with corner plate with silicon or adhesive and tighten by 601C corner cleat with M8 bolt.
Use 4mm pin into corner plate only if require (offset hole by 1mm)

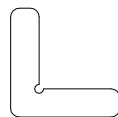
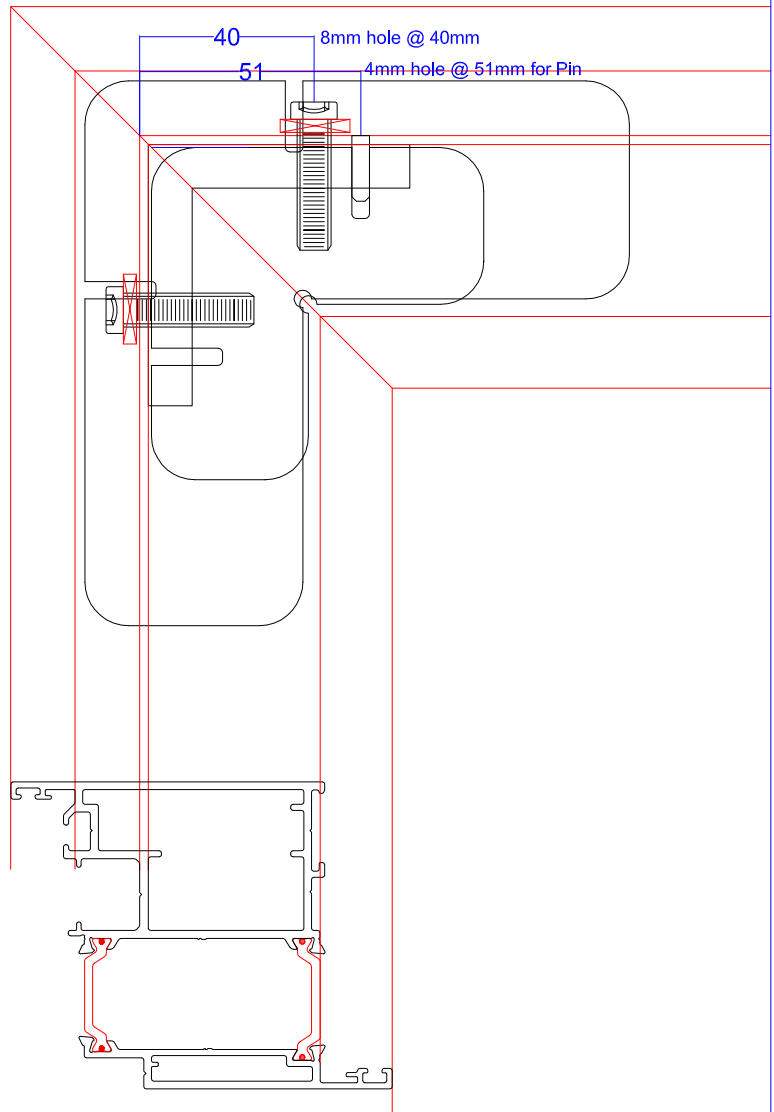
DSI_0343 Open In Stile



DSO_0344 Open Out Stile



684
16 x 30 x 3mm Washer

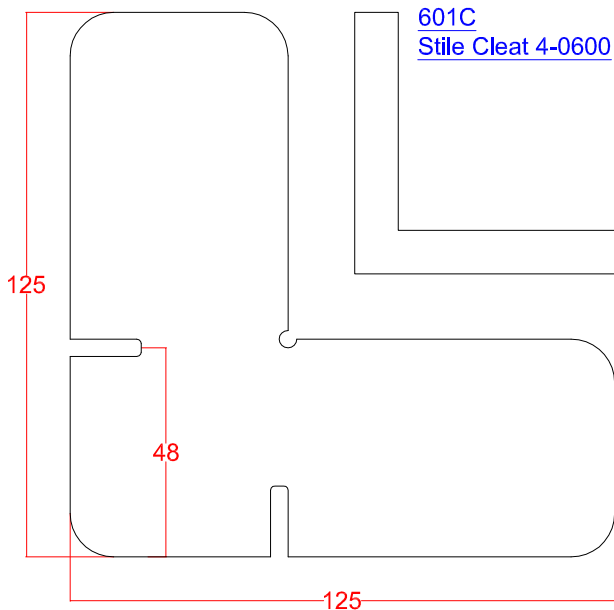


6.5 mm Chevron

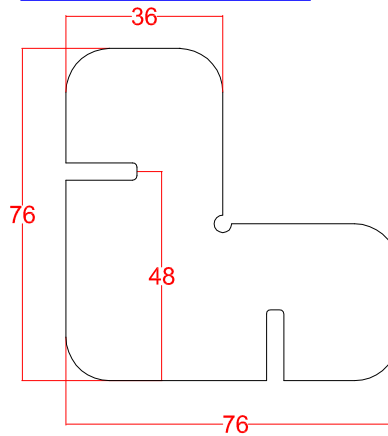


674A
M8 x 30 SCKT Low Head

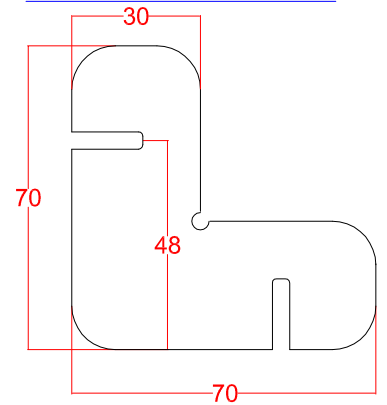
603 - 50mm Corner Plate



603A - 36mm Corner Plate



603B - 29.5mm Corner Plate



4 x 12 Pin (Leaf Corner)