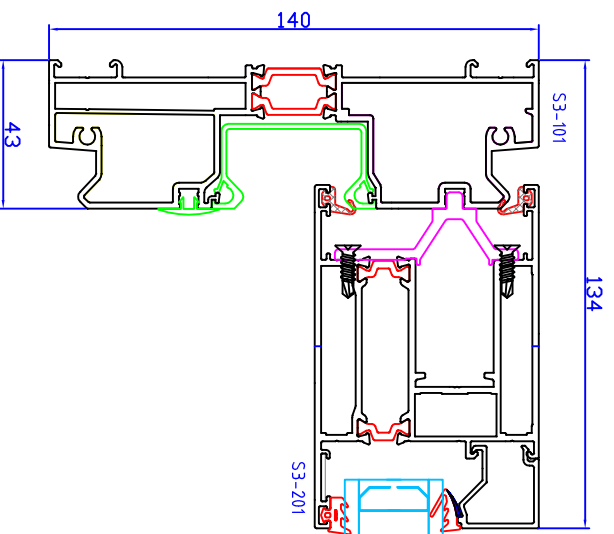
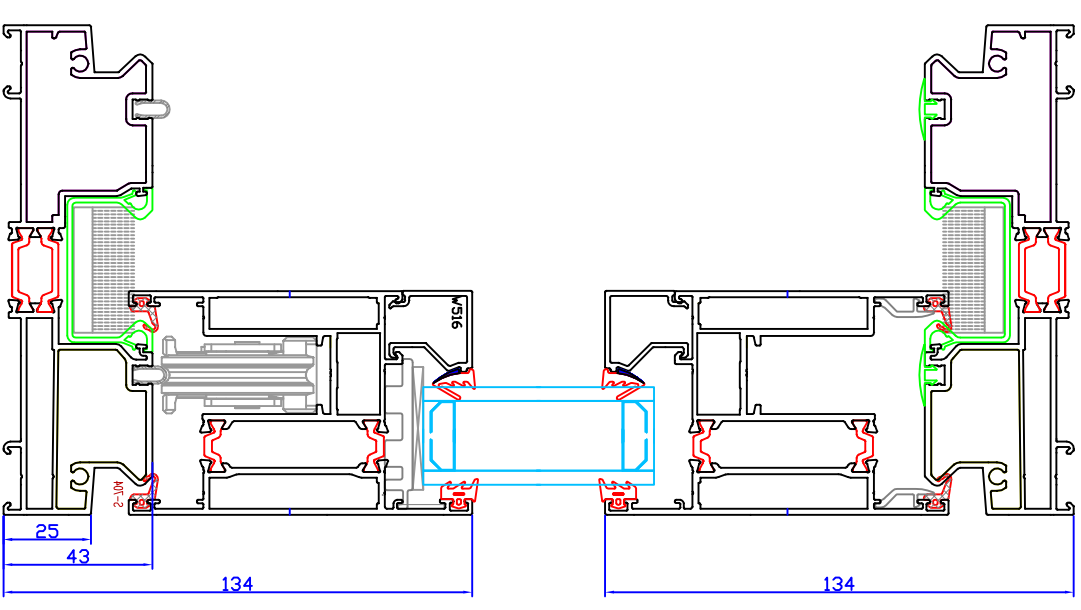


Sash  
Width = W + 105  
/ 4  
Height = H - 74  
Glass - Sash  
-170



Fix interlock  
position W / 4

