

*f* **STAYFIX**

ARCHITECTURAL ALUMINIUM SYSTEMS



# Climate I

Window system

# Climate I

The Climate I system is a series of aluminium profiles that have been designed specifically to be effective in appearance, trouble-free to manufacture and install.

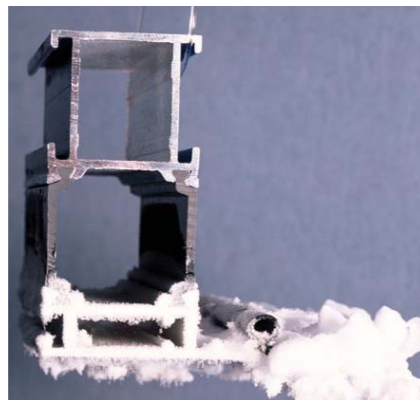
The system has also been designed to withstand force entry, reduce heat loss and have a bigger opening with the use of heavy duty hinges. With a larger opening, more light is able to enter a room and also gives a better energy rating.

The system spans to cover many commercial needs in various sectors of the industry, from hospitals to homes, the application is endless. As there are many requirements for the various different applications, Climate I offers several options to achieve these requirements. Available options such as seven different cills, a slimmer vent and also a slimmer outer frame, provides the client with a more broad perspective on the final installation.

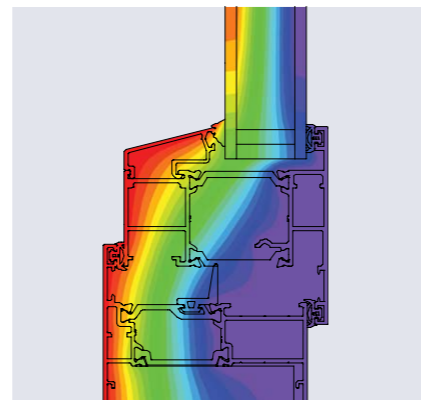
Profile depths are from 70mm and have a 34mm polyamide thermal break. This results in a three chamber thermal barrier to achieve U-values complying with part L of the building regulations. Maximising insulation for buildings and minimising energy costs. To further enhance energy efficiency, triple glazed beads are available to accommodate glazed units up to 44mm.



> Shootbolt as well as mushroom locking for security



> Demonstration of polyamides resistance to low temperatures



> Thermal conductance through the system

## Technical specification

### System options

- > Opening out internally beaded sash
- > Opening out slim internally beaded sash
- > Tilt and turn
- > Fully reversible top swing

### Material

- > Extruded from aluminium alloy 6060 T6
- > Polyamide 6.6.25% reinforced with glass fibre

### Finishes

- > Polyester powder coated to BSEN 12206
- > Qualicoat and GSB label
- > Mill Finish
- > Silver anodized
- > Dual colour option

### System Features

- > Internally beaded for extra security
- > Vent rebate changer
- > Fully compliance with Part L of the building regulations
- > Straightforward and simple to manufacture and install.
- > Slopping bead, reduces dust and water accumulation
- > Three chamber thermal system with double cleat for stability and larger sash size

### Application

- > Commercial as well as residential
- > For low to medium rise building

### Weather Performance

- > Tested to BS 6375 Part 1:2009 Part 1: Classification for weather tightness:
  - Air permeability 600 Pa
  - Water tightness 600 Pa
  - Wind resistance 2000 Pa
  - Exposure category 2000 Pa

### Security Performance

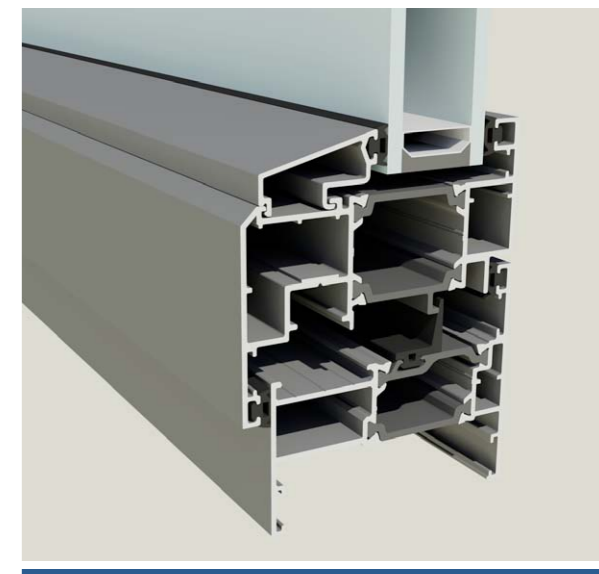
- > Tested to BS 6375 Part 2:1987 Part 2. Specification for operation and strength characteristics
- > Tested to BS 7950:1997 Amendments 1,2 and 3 specification for enhanced Security
- > BS 6375 : Part 2:1987, clauses A.2, A.3, A.5, A.6 and A.7 Pass
- > BS 7950 : 1997 – tested to clauses A.4, A.5, A.6 and A.7 Pass

### Glazing

- > Option of 28mm or 44mm unit. Air vent incorporated with glazing. Louvers option.

### Other options

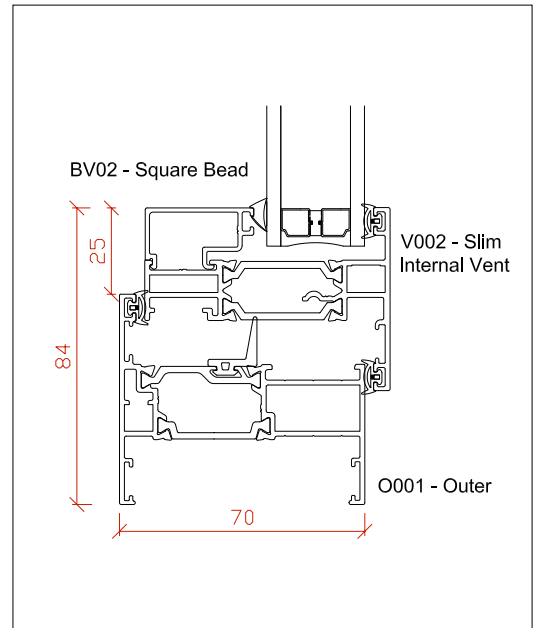
- > System is designed to accommodate various security and operation components. Also can be integrated into other systems.



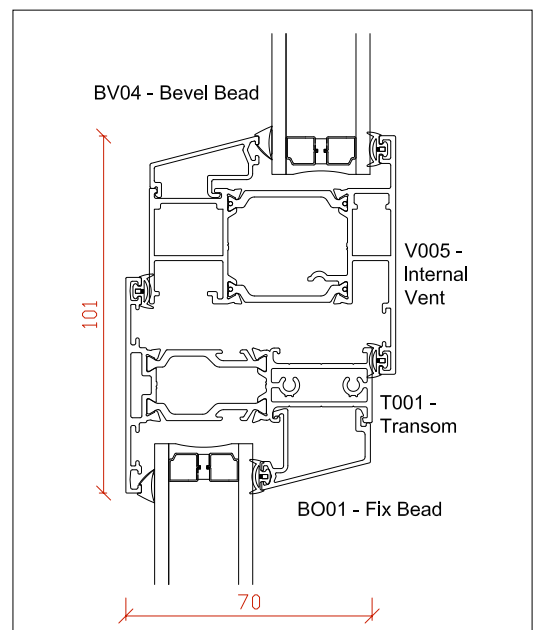
## Why choose Climate I:

- > Appealing appearance
- > Simple manufacture
- > Easy to install
- > Use of heavy duty hinges for larger openings
- > Internally beaded
- > Dual colour option
- > 70mm Profile
- > Non rusting and maintains strength
- > Enhanced hardware security
- > Guaranteed paint finishes
- > Increased sunlight in room with slim profile
- > Achieves U-value complying with part L of the Building Regulations
- > Longer life
- > Increase value of any property
- > Lower energy consumption
- > Profile options to mix and match
- > Accommodates louvers, air vents and slot vents

“ a system with thermal performance...  
...commercial and residential applicability...  
... rigorous weather and security testing...  
... durability for longer lifecycle...  
... elegant appearance ... ”



> Slim internally beaded sash



> Internally beaded sash with transom

**f STAYFIX**  
ARCHITECTURAL ALUMINIUM SYSTEMS

53 Park Royal Road, Park Royal, London, NW10 7LQ

Tel: 020 8961 9030 Fax: 020 8961 9484 Email: sales@stayfix.co.uk

[www.stayfix.co.uk](http://www.stayfix.co.uk)