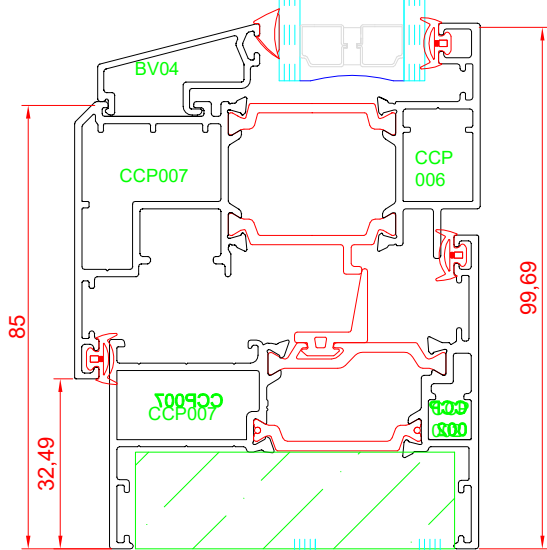


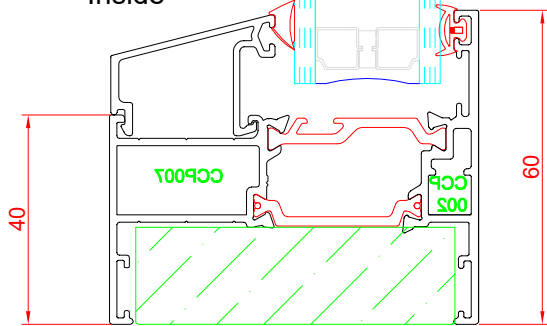


STAYFIX

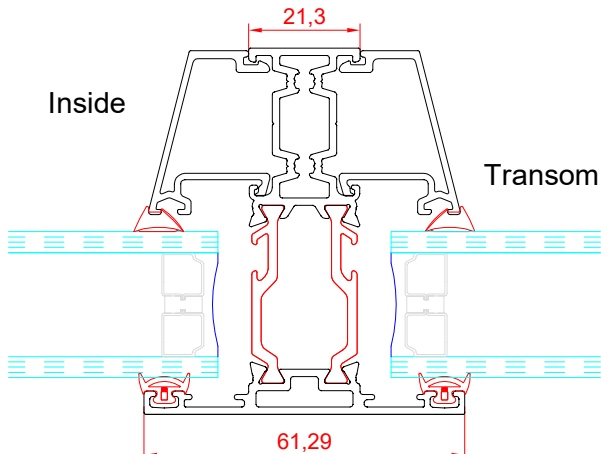
Inside



Inside

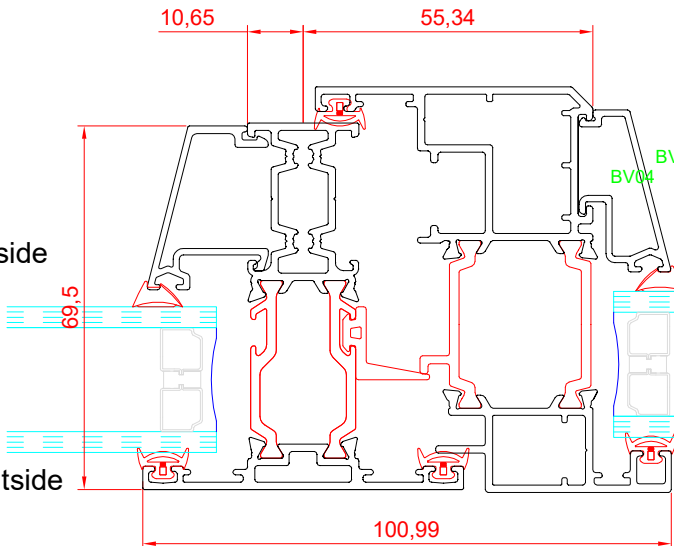


Inside



Inside

Outside



Inward Opening Tilt & Turn

- O001 Outer
 - T001 Transom
 - V004 Tilt & Turn Vent
 - BO01 Fix Glass Bead
 - BV04 Vent Bead
 - BV02 Square
 - FO20 Foam
 - PG001 Wedge Gasket
 - PG007 Bubble Gasket
 - PG005 Centre Gasket
 - Che10 Cheveron
 - CHE-T Transom Cheveron
 - CCP001 23mm cleat - Outer
 - CCP002 7mm cleat Outer
 - CCP006 12mm cleat - Vent
 - CCP007 26mm cleat - Vent
 - TPP 23 x 55 Transom Plate
- Roto NT Hinge
- TTHS Tilt & Turn Handle Silver
- TTHW Tilt & Turn Handle White

4.2 x 16 Shallow Pan head (Hinge)

3.9 x 12 CSK (Transome)

3.9 x 38 CSK (Transome)

4.2 x 20 CSK

4.2 x 25 CSK

M4 x 20 CSK

RB 12 x 40 Run Up Block

Ancillary Item

Cill , Coupling Bar , Square Post , Bay Post
Add on , Drip , Vantilation, Drain cover,
Glass Packer