

C201 Outer  
 C218 Bevel Slim int vent  
 C211 Vent bead  
 C210 Fix bead  
 C204 Transome

Screw fix corner cleat

CC307 9.7mm cleat M4 offset (Outer)  
 CC302 7.4mm cleat M4 (Outer)  
 CC305 11mm cleat M4 offset (Vent)  
 CC306 15mm 3.2 thick cleat M4 (Vent)  
 694 M4x10 Socket head  
 697 M4x6 CSK

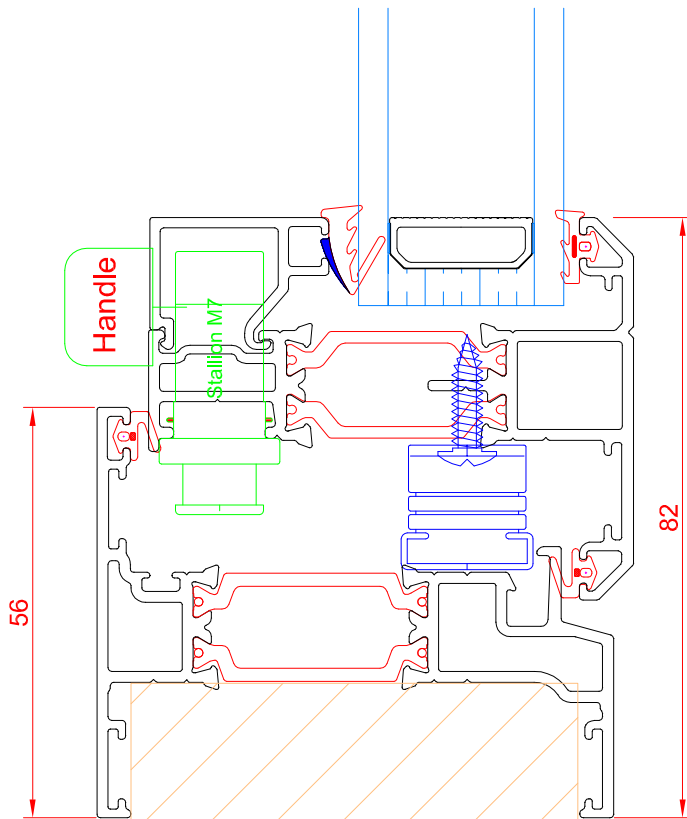
Crimping corner

CC207 9.7mm cleat (Outer)  
 CC202 7.4mm cleat (Outer)  
 CC205 11mm cleat (Vent)  
 CC206 6.5mm cleat (Vent)

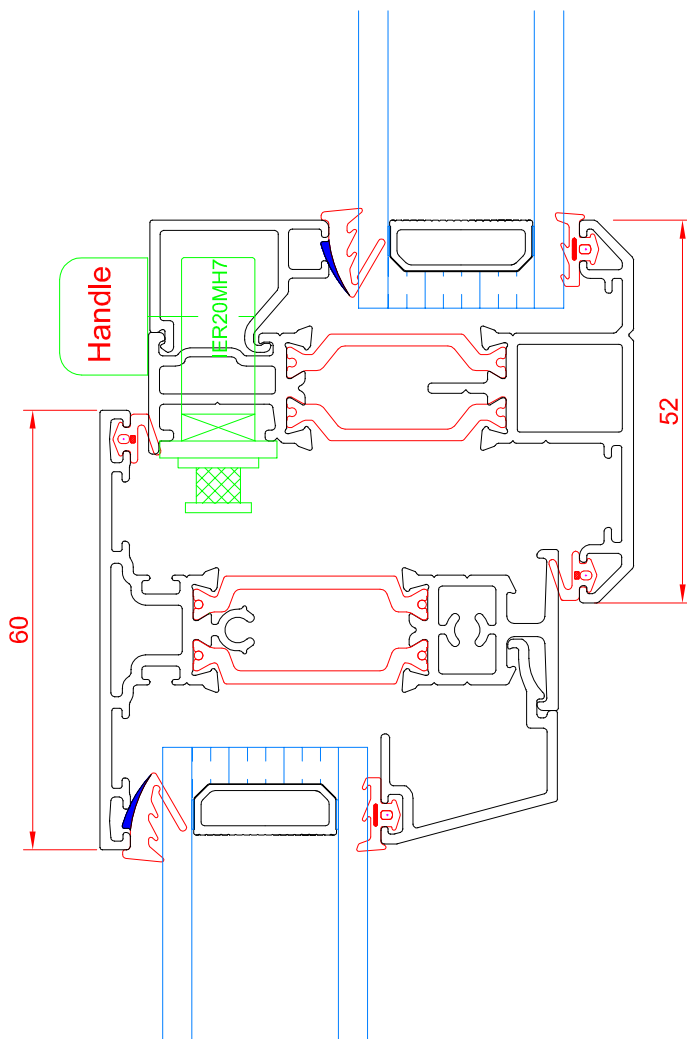
TP3 T plate (Transome)

PG008 Flipper  
 E020 Bead gasket  
 WG034 Wedge gasket  
 FO17 20x62 foam

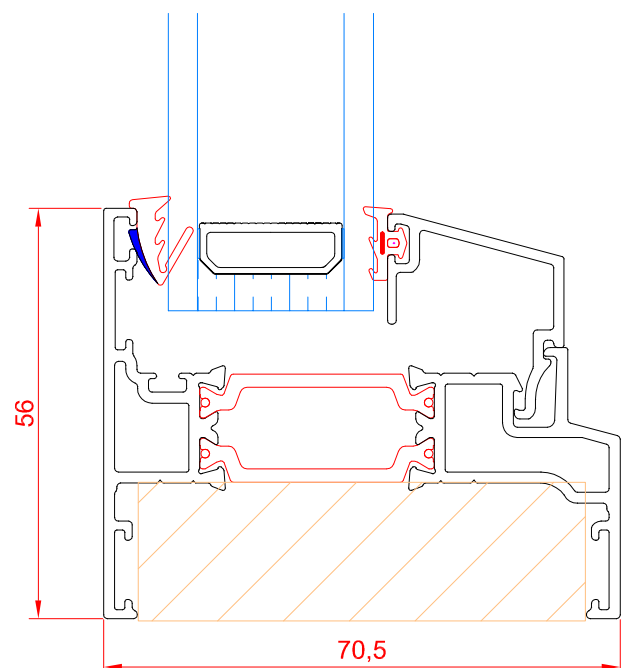
IER 400 to 1000 spag rod  
 LK20 Keep  
 17mm stack height hinge



C201 Outer - C206 Vent - C211 Bead



C204 Transome - C218 Vent - C211 Bead - C210 Fix bead



C201 Outer - C210 Bead