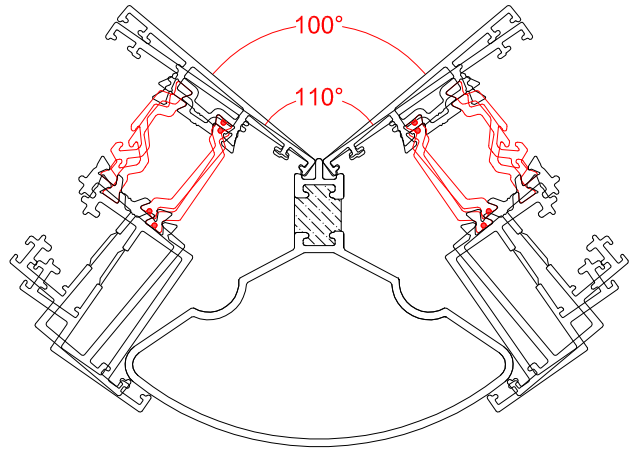
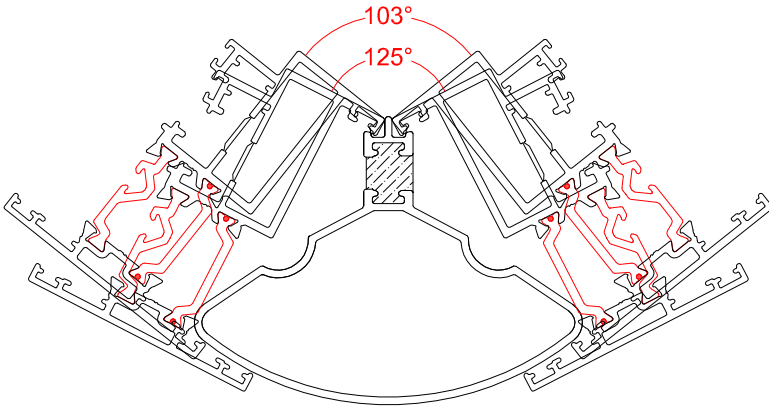
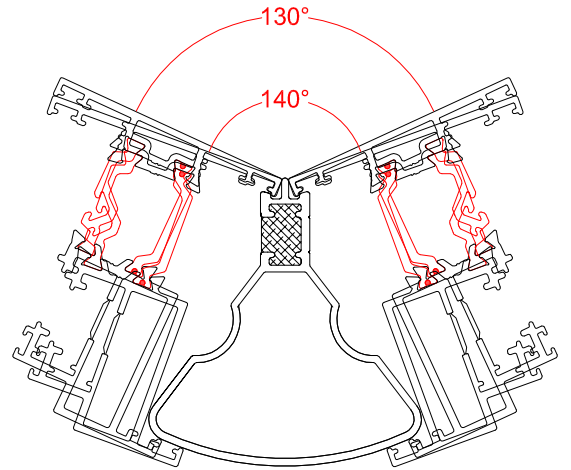
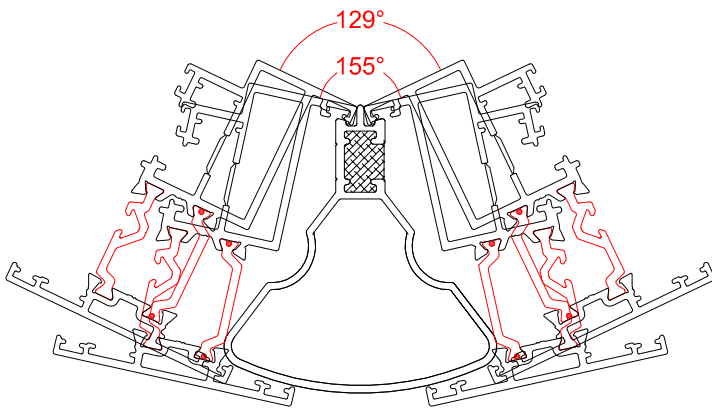


*BPLW - Large bay pole (100-140 Deg)*



*BPSW - Small bay pole (130-174 Deg)*



*BPSW2 - Small Bay Post (174-149 Deg)*

